



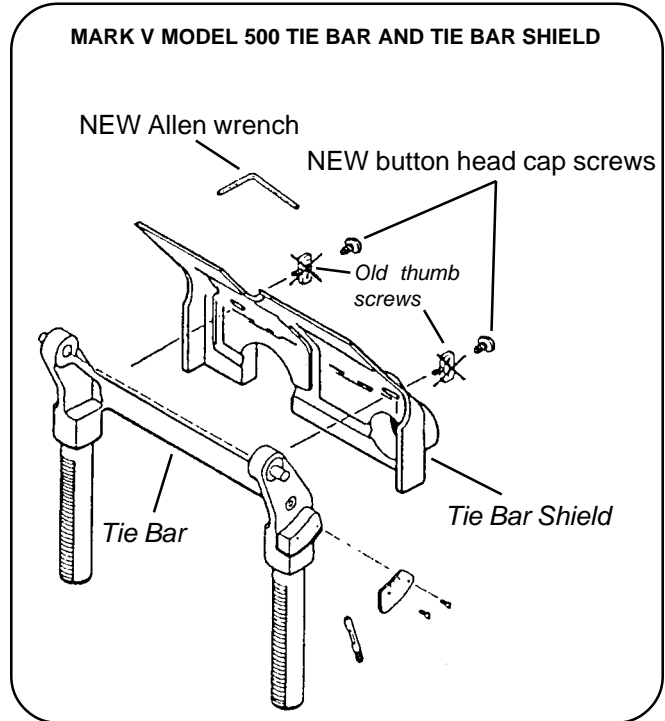
Supplemental information for the Mark V Model 500

This information is only for Mark V Model 500 machines manufactured BEFORE December 1, 1991. It supplements the exploded view for the Tie Bar and Tie Bar Shield, listed in your Mark V Model 500's instruction manual. These changes help us comply with new safety regulations-and allow us to improve the product for you.

Enclosed are the new parts:

Part No.	Item Description	Qty.
517978	10-32x3/8" But Head Cap Screw	2
51368607	1/8" Allen Wrench	1

The thumbscrews (Ref. No. 156, Part No. 513495) have been eliminated and are no longer available. The button head cap screws listed above are now included. Use the enclosed Allen wrench to tighten these screws to secure the tie bar shield to the tie bar.



Shopsmith Inc.
6530 Poe Avenue
Dayton, Ohio 45414

See us at www.shopsmith.com

845348

Rev A 03/05
©2005 Shopsmith, Inc.
All Rights Reserved
Printed In U.S.A.