



# Miter Gauge Bar - Service 518104

## Introduction

Your new Miter Gauge Bar package comes with the bar and stud assembly permanently assembled. You will also find that the special washer (12) may or may not be permanently mounted over the stud on the bar.

## Tools Required

- ✓ If you purchased your Miter Gauge prior to 1985, you will need both a large and a medium slot screwdriver.
- ✓ If you purchased your Miter Gauge between 1985 and 1988, you will need a #3 Phillips and medium slot screwdriver.
- ✓ If you purchased your Miter Gauge after 1988, you will need a #3 Phillips and a #2 Phillips screwdriver.

## Instructions

### Remove old Miter Gauge Bar

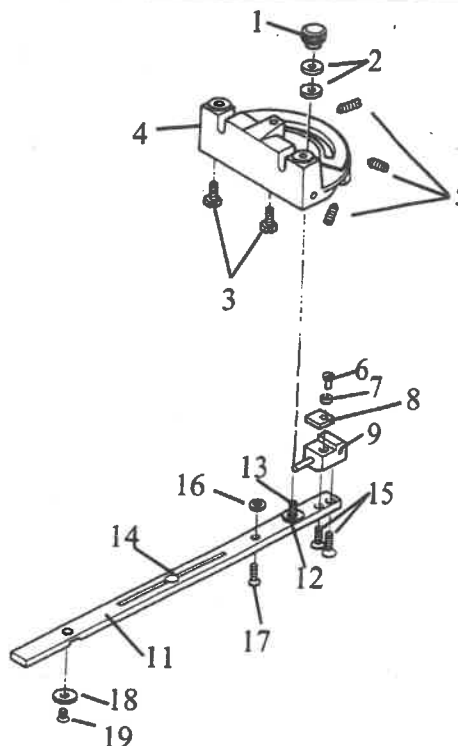
1. Turn it up-side down. Use the appropriate small screwdriver to remove the two screws (15) from the indicator mount and plunger assembly.
2. Then use the proper large screwdriver to remove the center Nylok machine screw (17) that the protractor pivots on. Discard the bar.

### Install the new Miter Gauge Bar

1. Reverse steps 1 & 2 above, paying close attention when tightening the center Nylok machine screw (17). Tighten it securely then back it off 1/16 to 1/8 turn. The protractor head should pivot freely but not slip around on the bar.

## NOTE

Be sure both special washers (12 & 16) are between the Miter Gauge Protractor and the bar.



Ref. No.	Part No.	Item Description	Qty
—	514374	Miter Gauge Assy (Incl. 268-284)	
1	504268	. Lock Knob .....	1
2	120392	. Washer .....	2
3	514566	. Glide .....	2
4	507367	. Protractor .....	1
5	501407	. Headless Stop Screw .....	3
6	436691	. Pan Head Machine Screw .....	1
7	501616	. Washer .....	1
8	501409	. Vernier Plate .....	1
9	514424	. Indicator Mnt & Plunger Assy .....	1
		(Incl. 10)	
10	514307*	. Miter Stop Plunger .....	1
11	518104	. Miter Gauge Bar (Incl. 12-14) .....	1
12	504267	. Special Washer .....	1
13	504266*	. Miter Stud .....	1
14	501401	. Taper Screw .....	1
15	501635	. Machine Screw .....	2
16	504267	. Special Washer .....	1
17	501639	. Nylock Machine Screw .....	1
18	514376	. Washer .....	1
19	514377	. Screw .....	1

\* Not available as a service part.



Shopsmith Inc.  
6530 Poe Avenue  
Dayton, Ohio 45414

Printed in U.S.A.  
Copyright 1999 Shopsmith, Inc.  
All Rights Reserved.

1-800-762-7555

845322

Rev 12/99