



Coupling Package 555124

Installation

This coupling kit contains all you need for power transmission from the power plant of the Mark V to any Major Accessory. The upper auxiliary spindle drives the Jigsaw, Beltsander, Bandsaw, and Thickness Planer; the lower auxiliary spindle drives the Jointer and Scroll Saw.

WARNING

Turn off and unplug the Mark V.

1. Check the alignment of the Major Accessories' shaft to the power plant spindle being used, Shaft alignment should be within 1/16". (See the Major Accessories' Owners Manual for alignment information.)

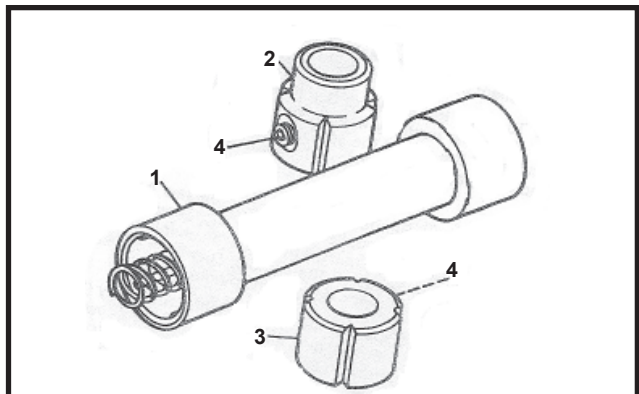
2. *To power the Jointer or Scroll Saw:*

Mount the idler hub (3) to the lower auxiliary spindle on the power plant. Push the hub until the end of the spindle bottoms. Then lock the setscrew (4) against the flat on the spindle.

OR

To power the Jigsaw, Bandsaw, Beltsander or Thickness Planer:

Mount the spindle hub (2) to the upper auxiliary spindle on the power plant. Push the hub until the unspindled end butts against the shoulder on the spindle. Then lock the setscrew (4) against the tapered flat on the spindle.



Parts List

Ref. No.	Part No.	Item Description	Qty
1	503574	Coupling Assembly	1
2	503570	Spindle Hub (Incl. 4)	1
3	503738	Idler Hub (Incl. 4)	1
4	522458	. Setscrew, 1/4"	2

3. Place the 5-spline end of the coupling assembly (1) over the Major Accessories' hub. Move the power plant toward the coupling, align the hub spline with the spline on the coupling and move the power plant until the hubs are in the coupling ends.

4. Secure the Mark V headrest lock and accessory mount lock before operating the Major Accessory.

WARNING

Make sure the mark V headrest lock and accessory mount lock are tightened. The mounting tubes must be locked in place and the power plant must be secured in order to operate the Major Accessories safely.

