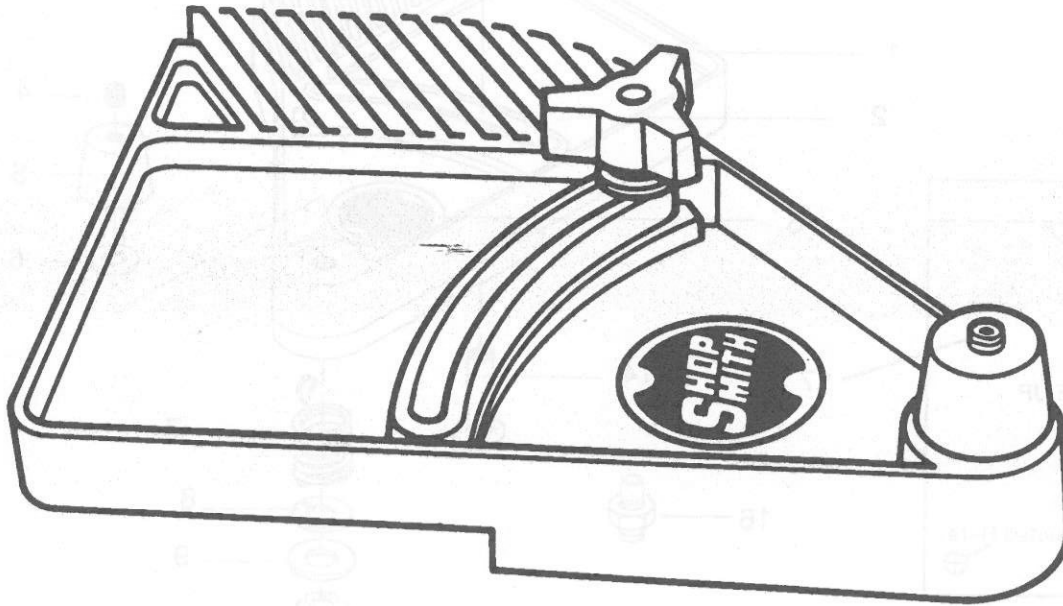




# Jointer Feather Guard Retrofit Kit

## 555480



### WARNING

Read this owner's manual and follow the safety information. Then read and follow the safety information in the jointer owner's manual.

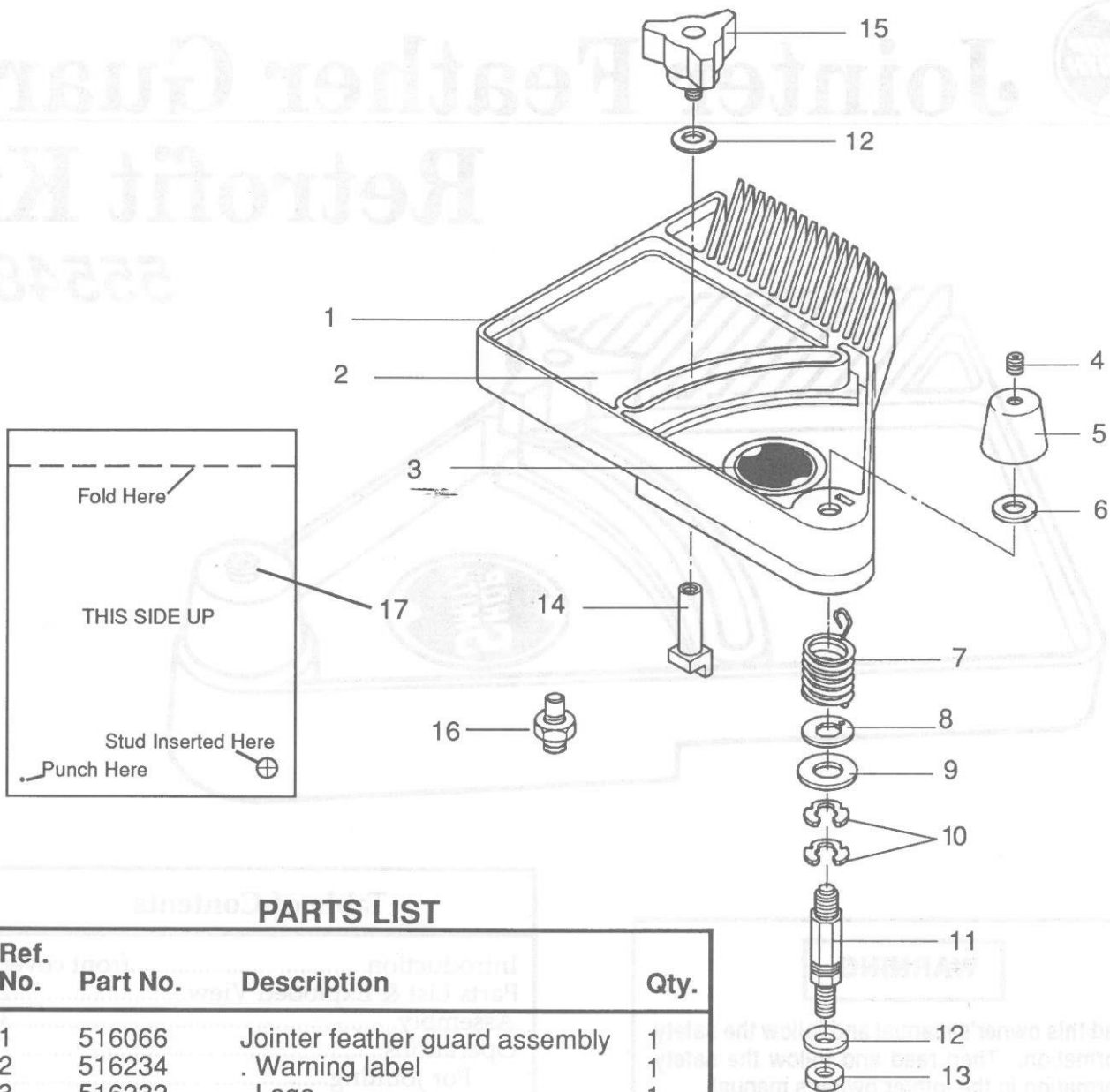
### Table of Contents

Introduction.....	front cover
Parts List & Exploded View.....	2
Assembly.....	3
Operations.....	7
For Jointing.....	7
For Rabbeting.....	back cover

## Introduction

The Jointer Feather Guard brings to your jointer the safety advantages of both a feather board and a guard. It guards just like the older style guard, and the Feather Guard also presses the workpiece against the fence, preventing the workpiece from kicking back into the operator. This Retrofit Kit upgrades your jointer's older style guard to the new Feather Guard.

After you have followed the assembly instructions in this manual, read and follow the operation instructions. The operation instructions in this manual tell how to adjust the Feather Guard to be used in jointing or rabbeting. For other, more comprehensive instructions on operations, see your jointer owner's manual.



### PARTS LIST

Ref. No.	Part No.	Description	Qty.
1	516066	Jointer feather guard assembly	1
2	516234	. Warning label	1
3	516232	. Logo	1
4	513989-01	Adjuster screw, 1/4"-20 x 1/4"	1
5	516401	Knob	1
6	515847	Thrust washer	1
7	514196	Spring	1
8	502909	Torque washer	1
9	514273	Washer, 1/2"	1
10	514049	Retaining ring	2
11	514272	Threaded Stud	1
12	120393	Washer, 11/32"	3
13	513857	Hex nut, 5/16"-18	1
14	516221	Stop pin	1
15	516222	Stop knob	1
16	516226*	Stop stud asm., 1/4"-28 black	1
	516402*	Stop stud asm., 1/4"-20 silver	1
17	516239	Drilling Template	1

\* For which one you will use, see Note on bottom of page 3.