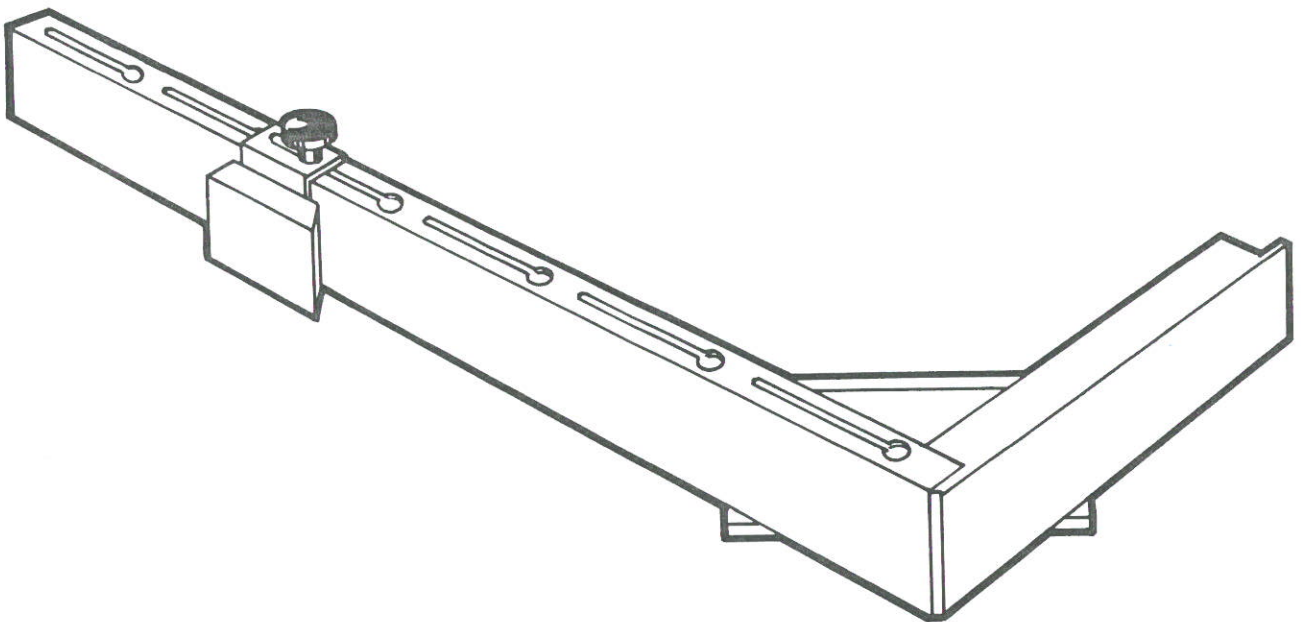




Miter ProTM

Owners Manual

555404



WARNING

Read the SAFETY section and complete the "Alignment" and "Assembly" sections before operating the Miter ProTM.

Table of Contents

Introduction.....	2
Safety Rules.....	2
Exploded View.....	3
Parts List.....	3
Alignment.....	4
Assembly.....	5
Operations.....	7

INTRODUCTION

NOTE

The Miter Pro can be used with the Shopsmith Mark II and Mark VII as well as the Mark V (Models 500 and 510). Though all references and illustrations in this manual are for the Mark V Model 510, they also apply to the Mark II, Mark VII and the Mark V Model 500.

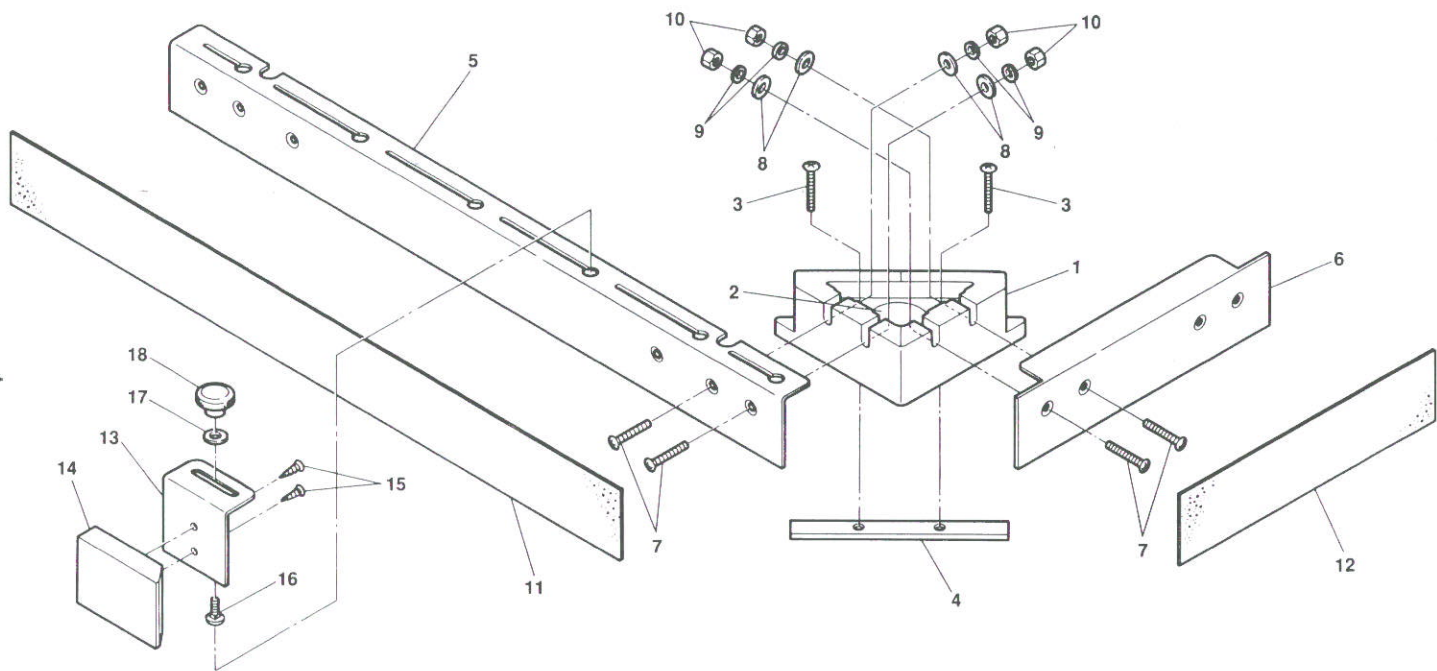
The Shopsmith Miter Pro lets you cut perfect 45 degree miters on your Shopsmith Mark V table saw. Now you can make picture frames, trim moldings and other woodworking projects demanding true 45 degree mitered angles.

You can operate the Miter Pro on either side of the table saw blade. We recommend that right handed people use the Miter Pro on the right side of the saw blade—and we show it this way in this Owners Manual. To operate the Miter Pro in the left miter slot and to the left of the saw blade, just reverse the long and short extensions.

For the cleanest and smoothest cut when operating the Miter Pro with the Mark V, use a hollow-ground, plywood, carbide tipped crosscut or carbide tipped combination blade. You should try out each blade you are considering with a piece of scrap from the stock you intend to use. This way you can judge the optimum feed rate to get the cleanest and smoothest cut. If you don't have a recommended blade and can't achieve a clean, smooth surface, you can cut the stock 1/4" longer than needed at each miter cut and sand each miter to length.

SAFETY RULES FOR THE MITER PRO

- Be sure that you read, understand and follow the Owners Manual of both the Mark V (or that of the Mark II or Mark VII, depending on which one you own) and the Miter Pro. Do NOT try to use the Miter Pro on the Shopsmith Model 10-E or 10-ER.
- Check alignment, assemble, and operate the Miter Pro only as specified in this Owners Manual. Failure to do so could result in injury and equipment damage.
- Use the Miter Pro on Shopsmith products only.
- Always reduce the Mark V to its lowest speed setting before you turn it off.
- Set the circular saw blade to no higher than 1/4" above the top of the workpiece you are cutting.
- When operating the Miter Pro, your standing position should be on the infeed side of the table.
- When operating the Miter Pro, turn on and shut off the Mark V with your left hand after each cut. Never reach over the saw blade.
- Both hands should be securely grasping the Miter Pro and the workpiece during cutting operations.
- Move the headstock so that the saw blade is as far away from the Miter Pro as possible, and as close as possible to the farthest edge of the table insert. This will help eliminate small slivers of wood from dropping down the slot in the table insert.
- The minimum outer length of stock to be cut with the Miter Pro is 6".
- Regularly wax all underside metal of the Miter Pro which contacts the worktable surface. Also regularly wax the worktable. Use furniture wax or "dry lube."
- Install the extension table to the right of the worktable. It will give the Miter Pro and the workpiece extra support if you are using the Miter Pro in the right miter gauge slot.



Parts List

Ref. No.	Part No.	Description	Qty.	Ref. No.	Part No.	Description	Qty.
1	515930	Miter Pro Assembly (includes #2)	1	11	515937	Non-slip surface, 24"	1
2	513808	Logo label	1	12	515972	Non-slip surface, 10"	1
3	516128	Phillips screw, panhead 1/4"-20 x 1-1/4"	2	13	515935	Fence stop	1
4	514231	Guide bar	1	14	515936	Stop block	1
5	515933	Long extension	1	15	515706	Wood screw, #8 x 3/4"	2
6	515934	Short extension	1	16	515939	Carriage bolt, #10-24 x 1/2"	1
7	515932	Phillips screw, 1/4"-20 x 1-1/4"	4	17	513864	Special washer, #10	1
8	120392	Flat washer, 1/4" I.D.	4	18	513713	Knob, #10	1
9	120380	Split lock washer, 1/4" I.D.	4	19	515938	Hardware pack (not shown) includes items 9, 10, 11, 12, 17, 18, 19 and 20	1
10	120375	Hex nut, 1/4" x 20	4				